

User Manual

Onlincam C26

Made in China

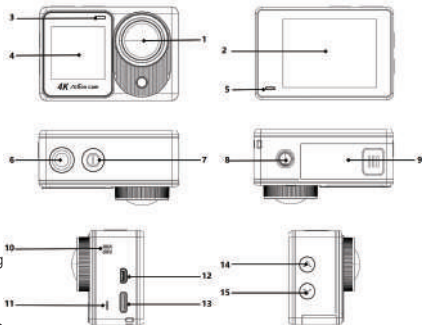


INTRODUCTION

Action Camera is a high-definition digital motion video recording device, created to reach market demand. It has a wide variety of the leading features for digital video recording, photo shooting, audio recording with screen display and detachable battery. Best suitable for vehicle recording, outdoor sports, home security, diving and more related activities. Allowing you to enjoy the moments while capturing every scene anytime, anywhere.

Product Overview

1. Lens
2. 2.0 inch Touch Screen
3. Indicator Light
4. 1.4 inch Front Screen
5. Indicator Light
6. Shutter / Select Button
7. Power / Mode Button
8. 1/4 Screw Port
9. Battery Door
10. Speaker
11. Built-in Mic
12. HD-Out Port
13. External Mic/Data/Charging Port
14. Up / Wi-Fi Button
15. Down / Screen's Switch Button



Tips:

- Verify the camera is in **Video / Photo** Preview interface, Press the **UP Button** to turn on/off Wi-Fi.
- Verify the camera is in **Video** Preview interface, Press the **Down Button** to switch the front or rear screen.
- The 1.4-inch front screen has no operation function and is only used for preview.

GETTING STARTED

HELLO

Welcome to your new camera. To capture video and photos, you need a micro SD card (sold separately).

MICRO SD CARDS

Use brand name memory cards that meet these requirements:

- micro SD, micro SDHC, or micro SDXC
- Class 10 or UHS-I rating
- Capacity up to 64GB (FAT32)

Note:

1. Please format the micro SD card first in this camera before using. To keep your micro SD card in good condition, reformat it on a regular basis. Reformatting erases all of your content, so be sure to offload your photos and videos first.
2. FAT32 format Micro SD card stops recording when the storage of each file is over 4 GB and starts to record again on a new file.

To Power ON: Press and hold the **Power/Mode Button** for seconds to the screen on.

To Power OFF: Press and hold the **Power/Mode Button** for seconds to the screen off.

OVERVIEW OF MODES

Turn camera ON and repeatedly press the **Mode Button** to cycle through camera modes and settings. The modes will appear in following order:



Or slide from right to left or slide from left to right on the display to switch modes, the modes will cycle in following order:



In video mode or photo mode, tap the shortcut icon at the bottom of the screen to quickly switch between different shooting modes



VIDEO MODE

Video Mode is the default mode when you turn on the camera. In Video Mode, press Shutter button, the camera starts recording video. Press Shutter button to stop recording video.

PHOTO MODE

Press Mode button once to switch to Photo Mode after you turn on camera. In Photo Mode, press Shutter button, the camera takes a photo.

VIDEO PLAYBACK MODE

Press Mode button several times to switch to Video Playback Mode. In Video Playback Mode, press the Up / Down button to scroll through the video files. Press Shutter button to playback video in full-screen view. Press and hold the Up button for 3 seconds to delete the video.

PHOTO PLAYBACK MODE

Press Mode button several times to switch to Photo Playback Mode. In Photo Playback Mode, press the Up / Down button to scroll through the Photo files. Press Shutter button to playback photo in full-screen view. Press and hold the Up button for 3 seconds to delete the photo.

VIDEO SETTING MODE

Press Mode button several times to switch to Video Setting Mode. In Video Setting Mode, press the Up / Down button to scroll through the different options. Press Shutter button to select desired option.

PHOTO SETTING MODE

Press Mode button several times to switch to Photo Setting Mode. In Photo Setting Mode, press the Up / Down button to scroll through the different options. Press Shutter button to select desired option.

SYSTEM SETTING MODE

Press Mode button several times to switch to System Setting Mode. In System Setting Mode, press the Up / Down button to scroll through the different options. Press Shutter button to select desired option.

CUSTOMIZING YOUR CAMERA

Repeatedly press the **Mode Button** to different Setting Menu, use the **UP / Down Button** to cycle through the various options, and press the **Shutter/Select Button** to select desired option. In the Exit Menu, press the the **Shutter/Select Button** to exit.



OR

Verify the camera is in desired **Video / Photo Mode**, touch the **Setting ICON** on the bottom right corner of screen to enter to the setting menu, and tap the different Setting ICON on the bottom of screen to switch to different settings,



In the desired settings, how to turn page:

Tap the UP or DOWN icon on the left side of the screen, or swipe your finger up or down on the screen to flip the page



Tap Up/Down icon



Slide Up/Down

In the desired settings, how to select desired option:
First tap the desired option, the option selected will be highlighted in the yellow frame, tap the option selected again and you will enter into the sub-menu of the option, then tap twice quickly the desired option in the sub-menu to select your desired option.

VIDEO SETTING

Video Resolution: 4K 30 / 2.7K 30 / 1080P 60 /1080P 60(9:16) / 1080P 30/1080P 30(9:16) / 720P 120

Looping Video: Off / 1Min./ 3Min./ 5Min.

Note:

1.This camera equip EIS (Electronics Image Stabilizer) function with 3-axis gyroscope to detect motion changes. EIS only support 2.7K 30fps/1080P 60/30fps and is enabled by default.

2.This camera can not playback 1080P60(9:16)/1080P30(9:16) video File, which requires playback on compute

PHOTO SETTING

Photo Resolution: 20M/16M/14M/12M

Continuous Time-Lapse: Off / 2s/ 5s/ 10s / 30s / 60s

Time-Lapse Photo:Off / 5s / 10s / 20s

SYSTEM SETTING:

Language: English / Español / Deutsch / Italiano / Français / 简体中文 / 日本語

Volume: 0~10

Remote Control: On/Off

Car Mode: On/Off

Exposure: +2~-2

Diving Mode: On/Off

Date & Time: __Y__M__D 00:00:00

Stamp: On/Off

Upside Down: On/Off

Screen Saver: Off/30sec./1min./3min.

Power Off: Never/1Mins/5Mins

Format: YES/NO

Reset: YES/NO

FW Version: ***

PLAYBACK

■ PLAYING BACK ON CAMERA

1. Enter Video or Photo playback mode. If your SD card contains a lot of content, it might take a minute for it to load.

2. Press the **Up / Down Button** to scroll through the video or photo files.

3. Press **Shutter Button** to open video or photo in full-screen view.

4. To return to the thumbnails screen, press **Mode Button**.

5. To exit the gallery, press **Mode Button**.

or

In video mode or photo mode, tap the playback icon in the lower left corner of the screen to quickly enter the video playback menu, then tap the photo icon in the upper left corner to enter the photo playback menu, tap the desired file to playback.



Note: This camera can not playback 1080P60(9:16)/1080P30(9:16) video File, which requires playback on computer.

■ PLAYING BACK ON TV

1. Turn on the TV
2. Connect the Mini HDMI end to the port on camera and HDMI end to HDMI port on the TV
3. Select the right input source on the TV
4. Turn on the camera after a while, you can preview the camera from TV
5. Setting your camera into the video/photo playback mode
6. Select the desired options to playback

Notes:

1. If the camera is connected TV with HDMI cable, the camera do not support to take videos or photo, only for Playback or Preview. HDMI cable is not included in the standard package, you will need buy an extra HDMI cable.

Playing back on Computer

To play back your video and photos on a computer, you must first transfer these files to a computer. Transferring also frees up space on your micro SD card for new content. To offload files to a computer using a card reader (sold separately) and your computer's file explorer, connect the card reader to the computer, then insert the micro SD card. You can then transfer files to your computer or delete

selected files on your card. Note that you must use a card reader to offload photos or audio files. With this method, playback resolution depends on the resolution of the device and its ability to play back that resolution.

Notes:

1. This camera might not be compatible with the files from different resolution camera or other device.
2. The quick time player is a good compatibility with MOV format video files. We strongly recommend using the quick time player to play back video files on your computer.

Delete single file on camera

1. Verify the camera is in Video or Photo Playback menu, If your micro SD card contains a lot of content, it might take a minute for it to load.
2. Press the **Up or Down Button** to locate the file you want to delete.
3. Press and hold the **Up Button** for seconds. The screen shows 'Delete Selected File? YES / NO'.
4. Press **Shutter Button**, the selected file will be deleted.

BATTERY

Charging the battery

1. Connect the camera to USB power supply (5V/1A commended).
2. The charging status light remains ON while the battery is charging.
3. The charging status light will turn OFF when the battery is fully charged.

Notes:

- Charging time: 4-hours for 5V 1A power supply
- Please make sure the camera is shuttled down while charging.
- Remove the battery before using as a dash camera and use 5V/1A brand-name car charger.
- Do not store in temperature above 140°F/60°C.

- Do not disassemble,crush,damage or dispose of in fire.
- Do not use swelling battery.
- Stop using the battery after immersed in water.
- please do no throw the camera or its battery to the garbage,find a specific recycling point for it.

Wi-Fi APP

The Wi-Fi App lets you control your camera remotely using a smart phone. Features include full camera control, live preview, playback and sharing of selected content and more.

Download and Install FUN DV app

Option 1:

Download the **FUN DV** App or to your smart phone from the Google Play or Apple App Store,

Option 2:

Scan the QR code below to download the **FUN DV** App or to your smart phone.

Notes:

Google,Android,Google play,App Store and other marks are the trademarks of Google LLC.



Android 7.0
or later



iOS 10.0
or later



Connect to the Wi-Fi App

1. Press the **Power/Mode Button** to power the camera ON.
2. Verify the camera in video mode: Press the **Up/Wi-Fi Button** to turn on Wi-Fi, then the Wi-Fi icon and Wi-Fi SSID & password will show on the screen.
3. Connect to the network called “**FUN DV**” in your phone’s Wi-Fi setting.
4. Enter the password “12345678”
5. Launch the **FUN DV** App on your smart phone.
6. Press the **Up/Wi-Fi Button** for seconds again to turn off Wi-Fi.

REMOTE CONTROLLER

Place the Remote Control On Your Wrist and Acquiesce Ultra-convenient Control For Hiking, Biking, Skiing, Bungee and more while installing the camera on your Helmet or other place.

Remote: Splash-proof only / Range: 5M

How to turn on/turn off the remote function:

Select **ON/OFF** in the Setting Menu to turn on/off the remote controller.

Verify the camera is in Video/Photo preview mode first, if the camera is set in Playback or Setting Menu, the camera can not receive the remote signal and can not be controlled by the remote.

VIDEO

To start recording:

Press the Grey Video Button.

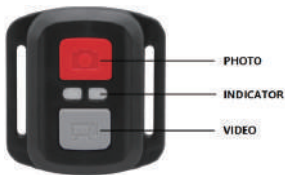
To stop recording:

Press the Grey Video Button again.

PHOTO

To take a photo:

Press the Red Photo Button. The camera will emit a camera shutter sound.

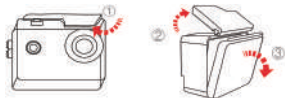


WATERPROOF CASE

Specially designed for diving, surfing, snorkeling and other water sports activities. The waterproof case does not only offer greater waterproof protection to your camera, it also offers extra protection against dust, scratches and shocks. Light and easy to carry, excellent PMMA material endows it with high quality. With the use of the waterproof case, you can record activities even 30M under water and it won't damage the shooting effect, clear and vivid. Your movement and photographic effect won't be affected by anti-surf pressure. Convenient to link camera with other accessories mount through this waterproof case.

■ HOW TO OPEN:

- 1) Pick the black latch up on the top of the case.
- 2) Pull up the buckle of the case.
- 3) Open the back cover of the case.



■ HOW TO CLOSE:

- 1)Please close the back door of the case.
- 2)Pull down the latch and lock it to the back door.
- 3)Press down the buckle.



Tips:

- 1.Please tear the protective films on the waterproof case lens before shoot/record;
- 2.To achieve better waterproof performance, the voice record within the waterproof case will be weakened.

Notes:

- In order to capture a clear video or photo, please tear off the lens protection film of the waterproof shell before use, and protect well the lens window from scratch after use.
- Before sealing the waterproof case, keep the camera housing's White Silicone Seal Ring clean, a single hair or grain of sand cause a leak. You can test by closing the case without inserting the camera. Submerge the case completely in the water for about a minute. Remove the case from the water, dry off its exterior with a towel, and then open the case. If the interior is dry,the case is safe for use under water.
- Before sealing the waterproof case, make sure the waterproof case is sealed well before use.If the white silicone sealing ring is found to be hardened, deformed or damaged, please stop using this water tank and replace the new waterproof shell in time
- Please dry it in time after use, otherwise the waterproof shell metal button will dust and reduce the waterproof performance. After use in in seawater or seaside, you will need to rinse the outside of the housing with fresh water and then dry. This will prevent corrosion of the hinge pin and salt buildup in the seal, which can cause failure. Do not flush the interior with water

- When use the camera with the waterproof in low temperature, such as Winter, Rainy Day, Underwater and so on, please do the anti fogging treatment so as to avoid the blurred video. It is recommended to add anti-fog film; insert the anti-fog film into the waterproof case to prevent the lens from fogging in low temperature or humid environment;
- Keep it safe from falling and dropping and high temperature above 80°C.
- Waterproof shell is vulnerable product, we strongly recommend ,according to the usage of the environment and frequency, to replace the waterproof shell in time.

SAFETY WARNINGS

- This is a 4K action camera, It is normal for the housing to exert heat under use. Don't expose the product directly to high temperatures over 50°C.
- It require a name band Class10 or higher micro SD card,Format your SD card on the camera first before using.
- Keep it safe from falling and dropping.
- Do not place heavy objects on the camera.
- Keep it distance from any strong magnetic interference objects like electrical machine to avoid strong radio waves that might be damaging the product and affect the sound or image quality.
- Keep the camera away from water and liquids (unless equipped with waterproof case). This may cause the the camera to malfunction.
- Don't place your Micro SD card near strong magnetic objects to avoid data error or loss.
- Must remove the battery before using as a dash camera and use brand-name 5v/1A car charger.

- In case of overheating, unwanted smoke or unpleasant smell from the device, unplug it immediately from the power outlet to prevent hazardous fire.
- Keep it safety from children while on charging.
- Do not use the camera when it is low power.
- Do not use or turn off the camera while it is in charging.
- Stored the device in a cool, dry and dust free location.
- Do not attempt to open the case of the camera or modify it in any way,if the camera has been detached,the warranty will be void.

Specification could be subject to modification due to updating without notice, please regard the actual product as the standard form. If need the newest updated software,please contact our after sale service team!

CAUTIONS US

For any inquiries, issues or comments concerning our products, please send E-mail to the address below or call us. We will respond as soon as possible.

E-mail: cs@onlincam.com

Web: <https://www.onlincam.com>

The logo for onlincam features a stylized 'o' icon on the left, composed of a small orange circle with a white center, and three curved orange lines above it. To the right of the icon, the word 'onlincam' is written in a white, lowercase, sans-serif font.

onlincam

V1.1